

# KC Series Metric Terminals Catalog

Metric Wire Connector

CATEGORY EDITION

# Table of Contents

Catalog structure and section page index

---

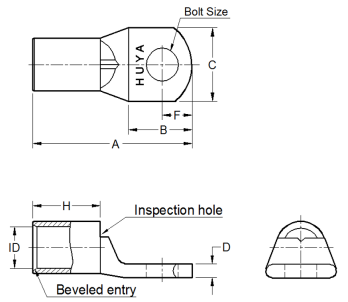
6mm .....	3
10mm .....	5
16mm .....	7
25mm .....	9
35mm .....	11
50mm .....	13
70mm .....	15
95mm .....	17
120mm .....	19
150mm .....	21
185mm .....	23
240mm .....	25
300mm .....	27
400mm .....	29
500mm .....	31
630mm .....	33

6mm

Metric Wire Connector / KC Series Metric Terminals

# 6mm

Metric Wire Connector / KC Series Metric Terminals / 6mm



## Installation Information

Manufacturer	Tools	Color	Code
-			

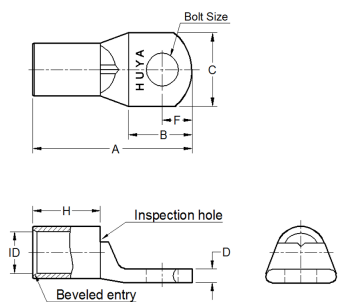
#	Cat.No	Wire Size (mm <sup>2</sup> )	Bolt Size	Dimension (mm)						
				A	B	C	D	F	H	ID
1	KC0603	6	M3	19.00	8.00	7.50	1.60	3.50	7.00	3.80
2	KC0604	6	M4	20.00	9.00	7.50	1.60	4.00	7.00	3.80
3	KC0605	6	M5	23.50	12.50	10.00	1.50	6.00	7.00	3.80
4	KC0606	6	M6	24.00	13.00	11.00	1.50	6.00	7.00	3.80
5	KC0608	6	M8	28.00	17.00	12.00	1.50	8.00	7.00	3.80
6	KC0610	6	M10	32.00	21.00	14.00	1.50	10.00	7.00	3.80
7	KC0635	6	M3.5	19.00	8.00	7.50	1.60	3.50	7.00	3.80

10mm

Metric Wire Connector / KC Series Metric Terminals

# 10mm

Metric Wire Connector / KC Series Metric Terminals / 10mm



## Installation Information

Manufacturer	Tools	Color	Code
-			

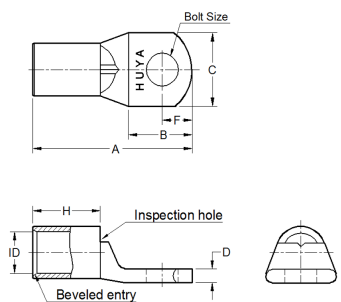
#	Cat.No	Wire Size (mm <sup>2</sup> )	Bolt Size	Dimension (mm)						
				A	B	C	D	F	H	ID
1	KC1004	10.00	M4	22.00	9.00	10.00	1.90	4.00	8.00	4.60
2	KC1005	10.00	M5	25.50	12.50	10.00	1.90	6.00	8.00	4.60
3	KC1006	10.00	M6	26.00	13.00	10.00	1.90	6.00	8.00	4.60
4	KC1008	10.00	M8	30.00	17.00	13.00	1.90	8.00	8.00	4.60
5	KC1010	10.00	M10	34.00	21.00	15.00	1.90	10.00	8.00	4.60
6	KC1012	10.00	M12	39.00	26.00	18.00	1.80	12.00	8.00	4.60

16mm

Metric Wire Connector / KC Series Metric Terminals

# 16mm

Metric Wire Connector / KC Series Metric Terminals / 16mm



## Installation Information

Manufacturer	Tools	Color	Code
-			

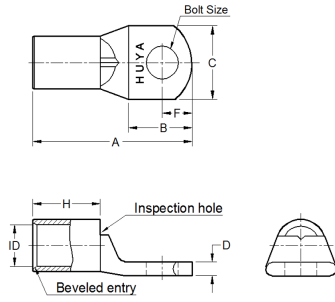
#	Cat.No	Wire Size (mm <sup>2</sup> )	Bolt Size	Dimension (mm)						
				A	B	C	D	F	H	ID
1	KC1604	16.00	M4	24.00	9.00	10.60	2.00	4.00	9.50	5.50
2	KC1605	16.00	M5	27.50	12.50	10.60	2.00	6.00	9.50	5.50
3	KC1606	16.00	M6	28.00	13.00	10.60	2.00	6.00	9.50	5.50
4	KC1608	16.00	M8	32.00	17.00	13.00	2.00	8.00	9.50	5.50
5	KC1610	16.00	M10	36.00	21.00	15.00	1.80	10.00	9.50	5.50
6	KC1612	16.00	M12	41.00	26.00	18.00	1.70	12.00	9.50	5.50

25mm

Metric Wire Connector / KC Series Metric Terminals

# 25mm

Metric Wire Connector / KC Series Metric Terminals / 25mm



## Installation Information

Manufacturer	Tools	Color	Code
-			

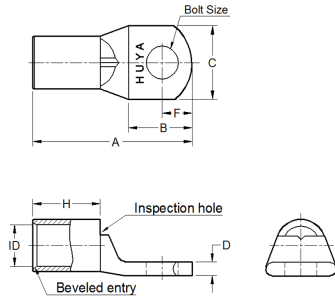
#	Cat.No	Wire Size (mm <sup>2</sup> )	Bolt Size	Dimension (mm)						
				A	B	C	D	F	H	ID
1	KC2504	25.00	M4	26.00	9.00	13.20	2.00	4.00	10.00	7.10
2	KC2505	25.00	M5	29.50	12.50	13.20	2.00	6.00	10.00	7.10
3	KC2506	25.00	M6	30.00	13.00	13.20	2.00	6.00	10.00	7.10
4	KC2508	25.00	M8	34.00	17.00	14.00	1.80	8.00	10.00	7.10
5	KC2510	25.00	M10	38.00	21.00	16.00	1.80	10.00	10.00	7.10
6	KC2512	25.00	M12	43.00	26.00	18.00	1.70	12.00	10.00	7.10

35mm

Metric Wire Connector / KC Series Metric Terminals

# 35mm

Metric Wire Connector / KC Series Metric Terminals / 35mm



## Installation Information

Manufacturer	Tools	Color	Code
-			

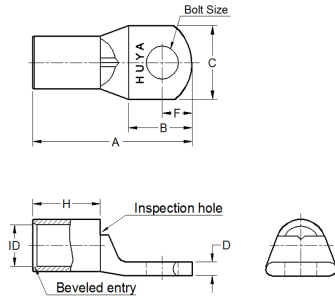
#	Cat.No	Wire Size (mm <sup>2</sup> )	Bolt Size	Dimension (mm)						
				A	B	C	D	F	H	ID
1	KC3505	35.00	M5	31.50	12.50	16.00	2.70	6.00	12.00	8.50
2	KC3506	35.00	M6	32.00	13.00	16.00	2.70	6.00	12.00	8.50
3	KC3508	35.00	M8	36.00	17.00	16.00	2.70	8.00	12.00	8.50
4	KC3510	35.00	M10	40.00	21.00	17.00	2.50	10.00	12.00	8.50
5	KC3512	35.00	M12	45.00	26.00	19.00	2.40	12.00	12.00	8.50

50mm

Metric Wire Connector / KC Series Metric Terminals

# 50mm

Metric Wire Connector / KC Series Metric Terminals / 50mm



## Installation Information

Manufacturer	Tools	Color	Code
-			

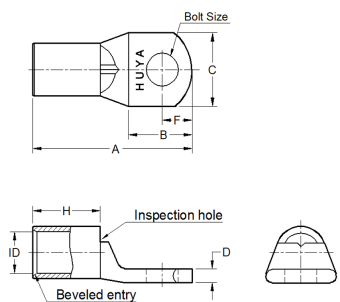
#	Cat.No	Wire Size (mm <sup>2</sup> )	Bolt Size	Dimension (mm)						
				A	B	C	D	F	H	ID
1	KC5006	50.00	M6	40.00	15.00	18.70	3.00	7.00	17.00	10.00
2	KC5008	50.00	M8	42.00	17.00	18.70	3.00	8.00	17.00	10.00
3	KC5010	50.00	M10	46.00	21.00	18.70	3.00	10.00	17.00	10.00
4	KC5012	50.00	M12	51.00	26.00	20.00	3.00	12.00	17.00	10.00
5	KC5014	50.00	M14	55.00	30.00	21.00	3.00	14.00	17.00	10.00
6	KC5016	50.00	M16	59.00	34.00	23.00	2.80	16.00	17.00	10.00

70mm

Metric Wire Connector / KC Series Metric Terminals

# 70mm

Metric Wire Connector / KC Series Metric Terminals / 70mm



## Installation Information

Manufacturer	Tools	Color	Code
-			

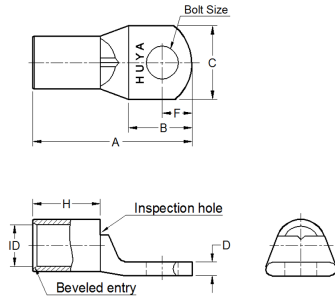
#	Cat.No	Wire Size (mm <sup>2</sup> )	Bolt Size	Dimension (mm)						
				A	B	C	D	F	H	ID
1	KC7006	70.00	M6	41.00	15.00	20.70	3.00	7.00	17.50	11.30
2	KC7008	70.00	M8	43.00	17.00	20.70	3.00	8.00	17.50	11.30
3	KC7010	70.00	M10	47.00	21.00	20.70	3.00	10.00	17.50	11.30
4	KC7012	70.00	M12	52.00	26.00	20.70	3.00	12.00	17.50	11.30
5	KC7014	70.00	M14	56.00	30.00	21.00	2.90	14.00	17.50	11.30
6	KC7016	70.00	M16	60.00	34.00	23.00	2.80	16.00	17.50	11.30

95mm

Metric Wire Connector / KC Series Metric Terminals

# 95mm

Metric Wire Connector / KC Series Metric Terminals / 95mm



## Installation Information

Manufacturer	Tools	Color	Code
-			

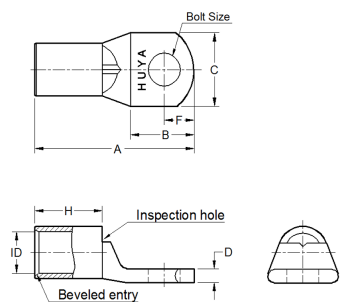
#	Cat.No	Wire Size (mm <sup>2</sup> )	Bolt Size	Dimension (mm)						
				A	B	C	D	F	H	ID
1	KC9506	95.00	M6	46.00	15.00	25.00	4.00	7.00	22.00	13.40
2	KC9508	95.00	M8	48.00	17.00	25.00	4.00	8.00	22.00	13.40
3	KC9510	95.00	M10	52.00	21.00	25.00	4.00	10.00	22.00	13.40
4	KC9512	95.00	M12	57.00	26.00	25.00	4.00	12.00	22.00	13.40
5	KC9514	95.00	M14	61.00	30.00	25.00	4.00	14.00	22.00	13.40
6	KC9516	95.00	M16	65.00	34.00	25.00	4.00	16.00	22.00	13.40
7	KC9520	95.00	M20	73.00	42.00	29.00	3.80	20.00	22.00	13.40

120mm

Metric Wire Connector / KC Series Metric Terminals

# 120mm

Metric Wire Connector / KC Series Metric Terminals / 120mm



## Installation Information

Manufacturer	Tools	Color	Code
-			

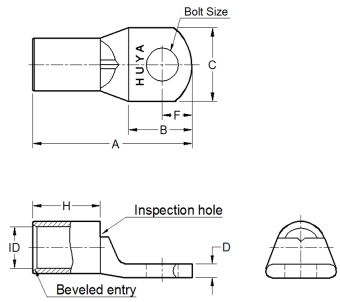
#	Cat.No	Wire Size (mm <sup>2</sup> )	Bolt Size	Dimension (mm)						
				A	B	C	D	F	H	ID
1	KC1206	120.00	M6	47.00	15.00	27.50	4.00	7.00	23.00	15.00
2	KC1208	120.00	M8	49.00	17.00	27.50	4.00	8.00	23.00	15.00
3	KC1210	120.00	M10	53.00	21.00	27.50	4.00	10.00	23.00	15.00
4	KC1212	120.00	M12	58.00	26.00	27.50	4.00	12.00	23.00	15.00
5	KC1214	120.00	M14	62.00	30.00	27.50	4.00	14.00	23.00	15.00
6	KC1216	120.00	M16	66.00	34.00	27.50	4.00	16.00	23.00	15.00
7	KC1220	120.00	M20	74.00	42.00	29.00	3.90	20.00	23.00	15.00

150mm

Metric Wire Connector / KC Series Metric Terminals

# 150mm

Metric Wire Connector / KC Series Metric Terminals / 150mm



## Installation Information

Manufacturer	Tools	Color	Code
-			

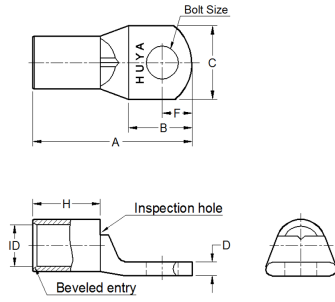
#	Cat.No	Wire Size (mm <sup>2</sup> )	Bolt Size	Dimension (mm)						
				A	B	C	D	F	H	ID
1	KC1508	150.00	M8	60.00	24.00	30.50	4.50	11.00	25.00	16.50
2	KC1510	150.00	M10	60.00	24.00	30.50	4.50	11.00	25.00	16.50
3	KC1512	150.00	M12	66.00	30.00	30.50	4.50	14.00	25.00	16.50
4	KC1514	150.00	M14	70.00	34.00	30.50	4.50	16.00	25.00	16.50
5	KC1516	150.00	M16	72.00	36.00	30.50	4.50	17.00	25.00	16.50
6	KC1520	150.00	M20	78.00	42.00	30.50	4.50	20.00	25.00	16.50

185mm

Metric Wire Connector / KC Series Metric Terminals

# 185mm

Metric Wire Connector / KC Series Metric Terminals / 185mm



## Installation Information

Manufacturer	Tools	Color	Code
-			

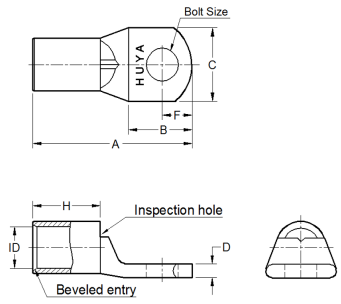
#	Cat.No	Wire Size (mm <sup>2</sup> )	Bolt Size	Dimension (mm)						
				A	B	C	D	F	H	ID
1	KC1808	185.00	M8	63.00	24.00	35.00	4.80	11.00	26.00	19.00
2	KC1810	185.00	M10	63.00	24.00	35.00	4.80	11.00	26.00	19.00
3	KC1812	185.00	M12	69.00	30.00	35.00	4.80	14.00	26.00	19.00
4	KC1814	185.00	M14	73.00	34.00	35.00	4.80	16.00	26.00	19.00
5	KC1816	185.00	M16	75.00	36.00	35.00	4.80	17.00	26.00	19.00
6	KC1820	185.00	M20	81.00	42.00	35.00	4.80	20.00	26.00	19.00

240mm

Metric Wire Connector / KC Series Metric Terminals

# 240mm

Metric Wire Connector / KC Series Metric Terminals / 240mm



## Installation Information

Manufacturer	Tools	Color	Code
-			

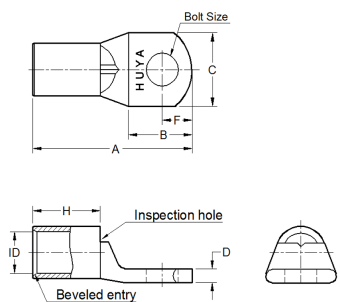
#	Cat.No	Wire Size (mm <sup>2</sup> )	Bolt Size	Dimension (mm)						
				A	B	C	D	F	H	ID
1	KC2408	240.00	M8	70.00	24.00	39.00	5.90	11.00	30.50	20.80
2	KC2410	240.00	M10	70.00	24.00	39.00	5.90	11.00	30.50	20.80
3	KC2412	240.00	M12	76.00	30.00	39.00	5.90	14.00	30.50	20.80
4	KC2414	240.00	M14	80.00	34.00	39.00	5.90	16.00	30.50	20.80
5	KC2416	240.00	M16	82.00	36.00	39.00	5.90	17.00	30.50	20.80
6	KC2420	240.00	M20	88.00	42.00	39.00	5.90	20.00	30.50	20.80

300mm

Metric Wire Connector / KC Series Metric Terminals

# 300mm

Metric Wire Connector / KC Series Metric Terminals / 300mm



## Installation Information

Manufacturer	Tools	Color	Code
-			

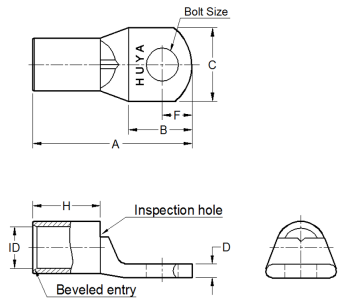
#	Cat.No	Wire Size (mm <sup>2</sup> )	Bolt Size	Dimension (mm)						
				A	B	C	D	F	H	ID
1	KC3110	300.00	M10	89.00	31.00	44.00	6.80	11.00	40.00	23.50
2	KC3112	300.00	M12	92.00	34.00	44.00	6.80	14.00	40.00	23.50
3	KC3114	300.00	M14	96.00	38.00	44.00	6.80	16.00	40.00	23.50
4	KC3116	300.00	M16	99.00	41.00	44.00	6.80	19.00	40.00	23.50
5	KC3120	300.00	M20	105.00	47.00	44.00	6.80	23.00	40.00	23.50

400mm

Metric Wire Connector / KC Series Metric Terminals

# 400mm

Metric Wire Connector / KC Series Metric Terminals / 400mm



## Installation Information

Manufacturer	Tools	Color	Code
-			

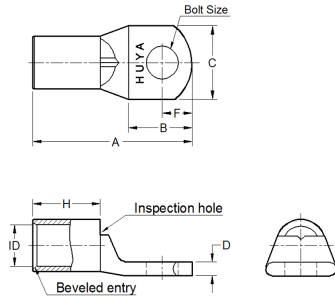
#	Cat.No	Wire Size (mm <sup>2</sup> )	Bolt Size	Dimension (mm)						
				A	B	C	D	F	H	ID
1	KC4110	400.00	M10	101.00	41.00	50.00	7.70	11.00	40.00	26.80
2	KC4112	400.00	M12	101.00	41.00	50.00	7.70	14.00	40.00	26.80
3	KC4114	400.00	M14	101.00	41.00	50.00	7.70	16.00	40.00	26.80
4	KC4116	400.00	M16	101.00	41.00	50.00	7.70	19.00	40.00	26.80
5	KC4120	400.00	M20	107.00	47.00	50.00	7.70	23.00	40.00	26.80

500mm

Metric Wire Connector / KC Series Metric Terminals

# 500mm

Metric Wire Connector / KC Series Metric Terminals / 500mm



## Installation Information

Manufacturer	Tools	Color	Code
-			

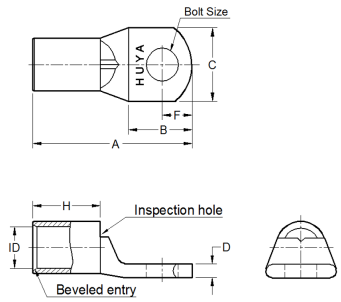
#	Cat.No	Wire Size (mm <sup>2</sup> )	Bolt Size	Dimension (mm)						
				A	B	C	D	F	H	ID
1	KC5110	500.00	M10	96.00	34.00	56.00	8.90	11.00	42.00	30.10
2	KC5112	500.00	M12	103.00	41.00	56.00	8.90	14.00	42.00	30.10
3	KC5116	500.00	M16	103.00	41.00	56.00	8.90	19.00	42.00	30.10
4	KC5120	500.00	M20	109.00	47.00	56.00	8.90	23.00	42.00	30.10

630mm

Metric Wire Connector / KC Series Metric Terminals

# 630mm

Metric Wire Connector / KC Series Metric Terminals / 630mm



## Installation Information

Manufacturer	Tools	Color	Code
-			

#	Cat.No	Wire Size (mm <sup>2</sup> )	Bolt Size	Dimension (mm)						
				A	B	C	D	F	H	ID
1	KC6316	630.00	M16	118.00	41.00	61.00	8.90	19.00	53.00	33.10
2	KC6320	630.00	M20	124.00	47.00	61.00	8.90	23.00	53.00	33.10