

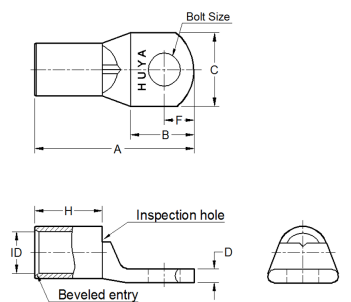
# 16mm Catalog

Metric Wire Connector / KC Series Metric Terminals

CATEGORY EDITION

# 16mm

Metric Wire Connector / KC Series Metric Terminals / 16mm



## Installation Information

Manufacturer	Tools	Color	Code
-			

#	Cat.No	Wire Size (mm <sup>2</sup> )	Bolt Size	Dimension (mm)						
				A	B	C	D	F	H	ID
1	KC1604	16.00	M4	24.00	9.00	10.60	2.00	4.00	9.50	5.50
2	KC1605	16.00	M5	27.50	12.50	10.60	2.00	6.00	9.50	5.50
3	KC1606	16.00	M6	28.00	13.00	10.60	2.00	6.00	9.50	5.50
4	KC1608	16.00	M8	32.00	17.00	13.00	2.00	8.00	9.50	5.50
5	KC1610	16.00	M10	36.00	21.00	15.00	1.80	10.00	9.50	5.50
6	KC1612	16.00	M12	41.00	26.00	18.00	1.70	12.00	9.50	5.50