

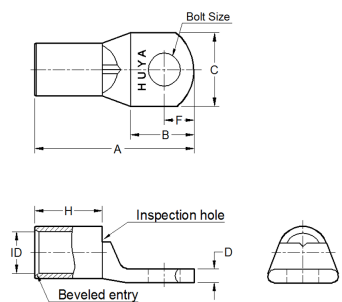
120mm Catalog

Metric Wire Connector / KC Series Metric Terminals

CATEGORY EDITION

120mm

Metric Wire Connector / KC Series Metric Terminals / 120mm



Installation Information

Manufacturer	Tools	Color	Code
-			

#	Cat.No	Wire Size (mm ²)	Bolt Size	Dimension (mm)						
				A	B	C	D	F	H	ID
1	KC1206	120.00	M6	47.00	15.00	27.50	4.00	7.00	23.00	15.00
2	KC1208	120.00	M8	49.00	17.00	27.50	4.00	8.00	23.00	15.00
3	KC1210	120.00	M10	53.00	21.00	27.50	4.00	10.00	23.00	15.00
4	KC1212	120.00	M12	58.00	26.00	27.50	4.00	12.00	23.00	15.00
5	KC1214	120.00	M14	62.00	30.00	27.50	4.00	14.00	23.00	15.00
6	KC1216	120.00	M16	66.00	34.00	27.50	4.00	16.00	23.00	15.00
7	KC1220	120.00	M20	74.00	42.00	29.00	3.90	20.00	23.00	15.00