

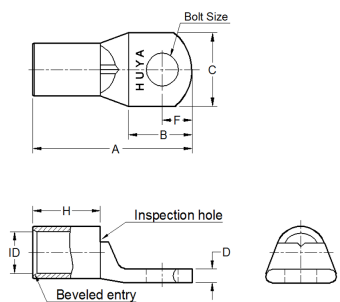
150mm Catalog

Metric Wire Connector / KC Series Metric Terminals

CATEGORY EDITION

150mm

Metric Wire Connector / KC Series Metric Terminals / 150mm



Installation Information

Manufacturer	Tools	Color	Code
-			

#	Cat.No	Wire Size (mm ²)	Bolt Size	Dimension (mm)						
				A	B	C	D	F	H	ID
1	KC1508	150.00	M8	60.00	24.00	30.50	4.50	11.00	25.00	16.50
2	KC1510	150.00	M10	60.00	24.00	30.50	4.50	11.00	25.00	16.50
3	KC1512	150.00	M12	66.00	30.00	30.50	4.50	14.00	25.00	16.50
4	KC1514	150.00	M14	70.00	34.00	30.50	4.50	16.00	25.00	16.50
5	KC1516	150.00	M16	72.00	36.00	30.50	4.50	17.00	25.00	16.50
6	KC1520	150.00	M20	78.00	42.00	30.50	4.50	20.00	25.00	16.50