

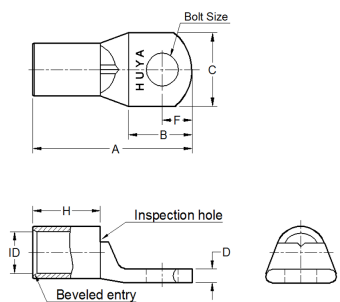
# 185mm Catalog

Metric Wire Connector / KC Series Metric Terminals

CATEGORY EDITION

# 185mm

Metric Wire Connector / KC Series Metric Terminals / 185mm



## Installation Information

| Manufacturer | Tools | Color | Code |
|--------------|-------|-------|------|
| -            |       |       |      |

| # | Cat.No | Wire Size (mm <sup>2</sup> ) | Bolt Size | Dimension (mm) |       |       |      |       |       |       |
|---|--------|------------------------------|-----------|----------------|-------|-------|------|-------|-------|-------|
|   |        |                              |           | A              | B     | C     | D    | F     | H     | ID    |
| 1 | KC1808 | 185.00                       | M8        | 63.00          | 24.00 | 35.00 | 4.80 | 11.00 | 26.00 | 19.00 |
| 2 | KC1810 | 185.00                       | M10       | 63.00          | 24.00 | 35.00 | 4.80 | 11.00 | 26.00 | 19.00 |
| 3 | KC1812 | 185.00                       | M12       | 69.00          | 30.00 | 35.00 | 4.80 | 14.00 | 26.00 | 19.00 |
| 4 | KC1814 | 185.00                       | M14       | 73.00          | 34.00 | 35.00 | 4.80 | 16.00 | 26.00 | 19.00 |
| 5 | KC1816 | 185.00                       | M16       | 75.00          | 36.00 | 35.00 | 4.80 | 17.00 | 26.00 | 19.00 |
| 6 | KC1820 | 185.00                       | M20       | 81.00          | 42.00 | 35.00 | 4.80 | 20.00 | 26.00 | 19.00 |