

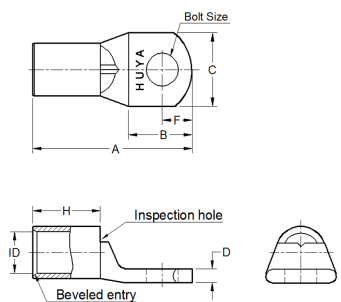
300mm Catalog

Metric Wire Connector / KC Series Metric Terminals

CATEGORY EDITION

300mm

Metric Wire Connector / KC Series Metric Terminals / 300mm



Installation Information

Manufacturer	Tools	Color	Code
-			

#	Cat.No	Wire Size (mm ²)	Bolt Size	Dimension (mm)						
				A	B	C	D	F	H	ID
1	KC3110	300.00	M10	89.00	31.00	44.00	6.80	11.00	40.00	23.50
2	KC3112	300.00	M12	92.00	34.00	44.00	6.80	14.00	40.00	23.50
3	KC3114	300.00	M14	96.00	38.00	44.00	6.80	16.00	40.00	23.50
4	KC3116	300.00	M16	99.00	41.00	44.00	6.80	19.00	40.00	23.50
5	KC3120	300.00	M20	105.00	47.00	44.00	6.80	23.00	40.00	23.50