

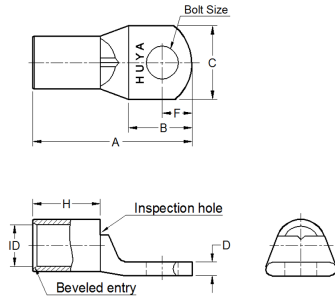
# 400mm Catalog

Metric Wire Connector / KC Series Metric Terminals

CATEGORY EDITION

# 400mm

Metric Wire Connector / KC Series Metric Terminals / 400mm



## Installation Information

Manufacturer	Tools	Color	Code
-			

#	Cat.No	Wire Size (mm <sup>2</sup> )	Bolt Size	Dimension (mm)						
				A	B	C	D	F	H	ID
1	KC4110	400.00	M10	101.00	41.00	50.00	7.70	11.00	40.00	26.80
2	KC4112	400.00	M12	101.00	41.00	50.00	7.70	14.00	40.00	26.80
3	KC4114	400.00	M14	101.00	41.00	50.00	7.70	16.00	40.00	26.80
4	KC4116	400.00	M16	101.00	41.00	50.00	7.70	19.00	40.00	26.80
5	KC4120	400.00	M20	107.00	47.00	50.00	7.70	23.00	40.00	26.80