

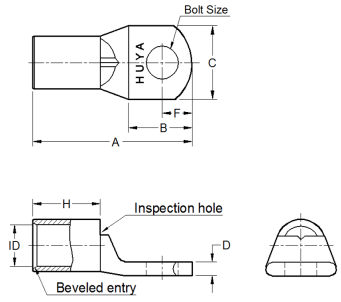
500mm Catalog

Metric Wire Connector / KC Series Metric Terminals

CATEGORY EDITION

500mm

Metric Wire Connector / KC Series Metric Terminals / 500mm



Installation Information

Manufacturer	Tools	Color	Code
-			

#	Cat.No	Wire Size (mm ²)	Bolt Size	Dimension (mm)						
				A	B	C	D	F	H	ID
1	KC5110	500.00	M10	96.00	34.00	56.00	8.90	11.00	42.00	30.10
2	KC5112	500.00	M12	103.00	41.00	56.00	8.90	14.00	42.00	30.10
3	KC5116	500.00	M16	103.00	41.00	56.00	8.90	19.00	42.00	30.10
4	KC5120	500.00	M20	109.00	47.00	56.00	8.90	23.00	42.00	30.10