

# JAN Serial Catalog

Compression Connectors

CATEGORY EDITION

# Table of Contents

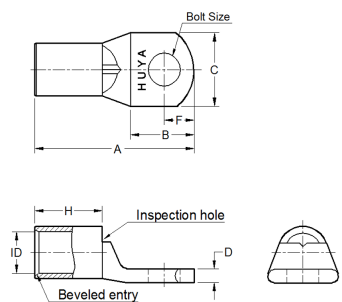
Catalog structure and section page index

---

0° .....	3
45° .....	6
90° .....	9

0°

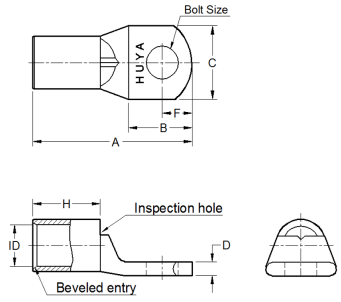
Compression Connectors / JAN Serial



## Installation Information

	T&B	Panduit	Burndy
8AWG	TBM5 TBM8	CT-720 CT-920	Y1MR Y2MR
6AWG	TBM5 TBM8	CT-720 CT-1700	Y1MR MY29
4AWG	TBM5 TBM8	CT-720 CT-920	Y1MR Y2MR
1AWG	TBM5 TBM8	CT-720 CT-1700	MY29 Y644M
Others	TBM5 TBM8	CT-720 CT-920	MY29 Y644M

#	Cat.No	WIRE SIZE	Bolt Size	Dimension (in)							
				A	B	C	D	F	ID	OD	H
1	J01AN1012	1/0	1/2	1.76	0.85	0.77	0.13	0.37	0.40	0.52	0.66
2	J01AN1014	1/0	1/4	1.76	0.85	0.77	0.13	0.37	0.40	0.52	0.66
3	J01AN1038	1/0	3/8	1.85	0.94	0.77	0.13	0.37	0.40	0.52	0.66
4	J01AN1056	1/0	5/16	1.85	0.94	0.77	0.13	0.37	0.40	0.52	0.66
5	J01AN1076	1/0	7/16	1.76	0.85	0.77	0.13	0.37	0.40	0.52	0.66
6	J02AN0110	1AWG	#10	1.57	0.71	0.70	0.11	0.33	0.36	0.47	0.61
7	J02AN0112	1AWG	1/2	1.71	0.85	0.77	0.11	0.37	0.36	0.47	0.61
8	J02AN0114	1AWG	1/4	1.57	0.71	0.70	0.11	0.33	0.36	0.47	0.61
9	J02AN0138	1AWG	3/8	1.71	0.85	0.70	0.11	0.33	0.36	0.47	0.61
10	J02AN0156	1AWG	5/16	1.57	0.71	0.70	0.11	0.33	0.36	0.47	0.61
11	J02AN0176	1AWG	7/16	1.75	0.89	0.77	0.11	0.37	0.36	0.47	0.61
12	J04AN0410	4AWG	#10	1.37	0.57	0.55	0.08	0.27	0.27	0.37	0.55
13	J04AN0414	4AWG	1/4	1.37	0.57	0.55	0.08	0.27	0.27	0.37	0.55
14	J04AN0438	4AWG	3/8	1.45	0.65	0.62	0.08	0.31	0.27	0.37	0.55
15	J04AN0456	4AWG	5/16	1.45	0.65	0.62	0.08	0.31	0.27	0.37	0.55
16	J06AN0610	6AWG	#10	1.30	0.52	0.49	0.07	0.24	0.22	0.30	0.58
17	J06AN0614	6AWG	1/4	1.30	0.52	0.49	0.07	0.24	0.22	0.30	0.58
18	J06AN0638	6AWG	3/8	1.42	0.64	0.60	0.06	0.30	0.22	0.30	0.58
19	J06AN0656	6AWG	5/16	1.42	0.64	0.60	0.06	0.30	0.22	0.30	0.58
20	J08AN0808	8AWG	#8	1.15	0.48	0.41	0.08	0.20	0.18	0.27	0.50
21	J08AN0810	8AWG	#10	1.11	0.44	0.41	0.08	0.20	0.18	0.27	0.50
22	J08AN0814	8AWG	1/4	1.17	0.50	0.45	0.07	0.23	0.18	0.27	0.50
23	J08AN0838	8AWG	3/8	1.29	0.62	0.56	0.06	0.28	0.18	0.27	0.50
24	J08AN0856	8AWG	5/16	1.29	0.62	0.56	0.06	0.28	0.18	0.27	0.50
25	J10AN2012	2/0	1/2	1.93	0.94	0.89	0.13	0.43	0.44	0.57	0.69
26	J10AN2014	2/0	1/4	1.93	0.94	0.84	0.13	0.41	0.44	0.57	0.69
27	J10AN2038	2/0	3/8	1.91	0.92	0.84	0.13	0.41	0.44	0.57	0.69
28	J10AN2056	2/0	5/16	1.91	0.92	0.84	0.13	0.41	0.44	0.57	0.69
29	J10AN2058	2/0	5/8	1.93	0.94	0.89	0.13	0.43	0.44	0.57	0.69
30	J10AN2076	2/0	7/16	1.93	0.94	0.89	0.13	0.43	0.44	0.57	0.69



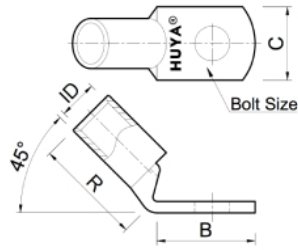
**Installation Information**

	T&B	Panduit	Burndy
8AWG	TBM5 TBM8	CT-720 CT-920	Y1MR Y2MR
6AWG	TBM5 TBM8	CT-720 CT-1700	Y1MR MY29
4AWG	TBM5 TBM8	CT-720 CT-920	Y1MR Y2MR
1AWG	TBM5 TBM8	CT-720 CT-1700	MY29 Y644M
Others	TBM5 TBM8	CT-720 CT-920	MY29 Y644M

#	Cat.No	WIRE SIZE	Bolt Size	Dimension (in)							
				A	B	C	D	F	ID	OD	H
31	J20AN3012	3/0	1/2	2.12	0.98	0.95	0.13	0.46	0.51	0.64	0.82
32	J20AN3014	3/0	1/4	2.07	0.93	0.95	0.13	0.46	0.51	0.64	0.82
33	J20AN3038	3/0	3/8	2.12	0.98	0.95	0.13	0.46	0.51	0.64	0.82
34	J20AN3056	3/0	5/16	2.07	0.93	0.95	0.13	0.46	0.51	0.64	0.82
35	J20AN3076	3/0	7/16	2.12	0.98	0.95	0.13	0.46	0.51	0.64	0.82
36	J30AN4012	4/0	1/2	2.17	1.03	1.04	0.14	0.50	0.56	0.70	0.82
37	J30AN4038	4/0	3/8	2.17	1.03	1.04	0.14	0.50	0.56	0.70	0.82
38	J30AN4056	4/0	5/16	2.16	1.02	1.04	0.14	0.50	0.56	0.70	0.82
39	J30AN4076	4/0	7/16	2.17	1.03	1.04	0.14	0.50	0.56	0.70	0.82
40	J40AN2512	250 MCM	1/2	2.55	1.24	1.14	0.14	0.56	0.63	0.77	0.96
41	J40AN2514	250 MCM	1/4	2.44	1.13	1.14	0.14	0.56	0.63	0.77	0.96
42	J40AN2538	250 MCM	3/8	2.44	1.13	1.14	0.14	0.56	0.63	0.77	0.96
43	J40AN2556	250 MCM	5/16	2.44	1.13	1.14	0.14	0.56	0.63	0.77	0.96
44	J40AN2576	250 MCM	7/16	2.55	1.24	1.14	0.14	0.56	0.63	0.77	0.96

45°

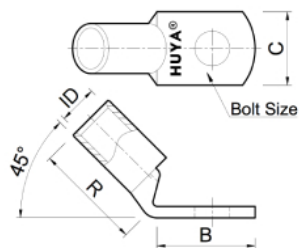
Compression Connectors / JAN Serial



Installation Information

	T&B	Panduit	Burndy
8AWG	TBM5 TBM8	CT-720 CT-920	Y1MR Y2MR
6AWG	TBM5 TBM8	CT-720 CT-1700	Y1MR MY29
4AWG	TBM5 TBM8	CT-720 CT-920	Y1MR Y2MR
1AWG	TBM5 TBM8	CT-720 CT-1700	MY29 Y644M
Others	TBM5 TBM8	CT-720 CT-920	MY29 Y644M

#	Cat.No	WIRE SIZE	BOLT SIZE	Dimension (in)						
				B	C	D	F	ID	OD	R
1	J01AN1012F	1/0	1/2	0.85	0.77	0.13	0.37	0.40	0.52	0.66
2	J01AN1014F	1/0	1/4	0.85	0.77	0.13	0.37	0.40	0.52	0.66
3	J01AN1038F	1/0	3/8	0.94	0.77	0.13	0.37	0.40	0.52	0.66
4	J01AN1056F	1/0	5/16	0.94	0.77	0.13	0.37	0.40	0.52	0.66
5	J01AN1076F	1/0	7/16	0.85	0.77	0.13	0.37	0.40	0.52	0.66
6	J02AN0110F	1AWG	#10	0.71	0.70	0.11	0.33	0.36	0.47	0.61
7	J02AN0112F	1AWG	1/2	0.85	0.77	0.11	0.37	0.36	0.47	0.61
8	J02AN0114F	1AWG	1/4	0.71	0.70	0.11	0.33	0.36	0.47	0.61
9	J02AN0138F	1AWG	3/8	0.85	0.70	0.11	0.33	0.36	0.47	0.61
10	J02AN0156F	1AWG	5/16	0.71	0.70	0.11	0.33	0.36	0.47	0.61
11	J02AN0176F	1AWG	7/16	0.89	0.77	0.11	0.37	0.36	0.47	0.61
12	J04AN0410F	4AWG	#10	0.57	0.55	0.08	0.27	0.27	0.37	0.55
13	J04AN0414F	4AWG	1/4	0.57	0.55	0.08	0.27	0.27	0.37	0.55
14	J04AN0438F	4AWG	3/8	0.65	0.62	0.08	0.31	0.27	0.37	0.55
15	J04AN0456F	4AWG	5/16	0.65	0.62	0.08	0.31	0.27	0.37	0.55
16	J06AN0610F	6AWG	#10	0.52	0.49	0.07	0.24	0.22	0.30	0.58
17	J06AN0614F	6AWG	1/4	0.52	0.49	0.07	0.24	0.22	0.30	0.58
18	J06AN0638F	6AWG	3/8	0.64	0.60	0.06	0.30	0.22	0.30	0.58
19	J06AN0656F	6AWG	5/16	0.64	0.60	0.06	0.30	0.22	0.30	0.58
20	J08AN0814F	8AWG	1/4	0.50	0.45	0.07	0.23	0.18	0.27	0.50
21	J08AN0838F	8AWG	3/8	0.62	0.56	0.06	0.28	0.18	0.27	0.50
22	J08AN0856F	8AWG	5/16	0.62	0.56	0.06	0.28	0.18	0.27	0.50
23	J10AN2012F	2/0	1/2	0.94	0.89	0.13	0.43	0.44	0.57	0.69
24	J10AN2014F	2/0	1/4	0.94	0.84	0.13	0.41	0.44	0.57	0.69
25	J10AN2038F	2/0	3/8	0.92	0.84	0.13	0.41	0.44	0.57	0.69
26	J10AN2056F	2/0	5/16	0.92	0.84	0.13	0.41	0.44	0.57	0.69
27	J10AN2058F	2/0	5/8	0.94	0.89	0.13	0.43	0.44	0.57	0.69
28	J10AN2076F	2/0	7/16	0.94	0.89	0.13	0.43	0.44	0.57	0.69
29	J20AN3012F	3/0	1/2	0.98	0.95	0.13	0.46	0.51	0.64	0.82
30	J20AN3014F	3/0	1/4	0.93	0.95	0.13	0.46	0.51	0.64	0.82



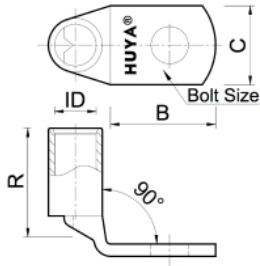
## Installation Information

	T&B	Panduit	Burndy
8AWG	TBM5 TBM8	CT-720 CT-920	Y1MR Y2MR
6AWG	TBM5 TBM8	CT-720 CT-1700	Y1MR MY29
4AWG	TBM5 TBM8	CT-720 CT-920	Y1MR Y2MR
1AWG	TBM5 TBM8	CT-720 CT-1700	MY29 Y644M
Others	TBM5 TBM8	CT-720 CT-920	MY29 Y644M

#	Cat.No	WIRE SIZE	BOLT SIZE	Dimension (in)						
				B	C	D	F	ID	OD	R
31	J20AN3038F	3/0	3/8	0.98	0.95	0.13	0.46	0.51	0.64	0.82
32	J20AN3056F	3/0	5/16	0.93	0.95	0.13	0.46	0.51	0.64	0.82
33	J20AN3076F	3/0	7/16	0.98	0.95	0.13	0.46	0.51	0.64	0.82
34	J30AN4012F	4/0	1/2	1.03	1.04	0.14	0.50	0.56	0.70	0.82
35	J30AN4038F	4/0	3/8	1.03	1.04	0.14	0.50	0.56	0.70	0.82
36	J30AN4056F	4/0	5/16	1.02	1.04	0.14	0.50	0.56	0.70	0.82
37	J30AN4076F	4/0	7/16	1.03	1.04	0.14	0.50	0.56	0.70	0.82
38	J40AN2512F	250 MCM	1/2	1.24	1.14	0.14	0.56	0.63	0.77	0.96
39	J40AN2514F	250 MCM	1/4	1.13	1.14	0.14	0.56	0.63	0.77	0.96
40	J40AN2538F	250 MCM	3/8	1.13	1.14	0.14	0.56	0.63	0.77	0.96
41	J40AN2556F	250 MCM	5/16	1.13	1.14	0.14	0.56	0.63	0.77	0.96
42	J40AN2576F	250 MCM	7/16	1.24	1.14	0.14	0.56	0.63	0.77	0.96

90°

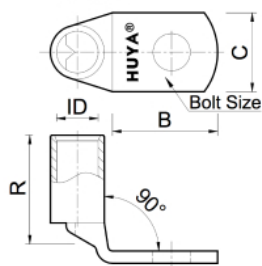
Compression Connectors / JAN Serial



Installation Information

	T&B	Panduit	Burndy
8AWG	TBM5 TBM8	CT-720 CT-920	Y1MR Y2MR
6AWG	TBM5 TBM8	CT-720 CT-1700	Y1MR MY29
4AWG	TBM5 TBM8	CT-720 CT-920	Y1MR Y2MR
1AWG	TBM5 TBM8	CT-720 CT-1700	MY29 Y644M
Others	TBM5 TBM8	CT-720 CT-920	MY29 Y644M

#	Cat.No	WIRE SIZE	BOLT SIZE	Dimension (in)						
				B	C	D	F	ID	OD	R
1	J01AN1012A	1/0	1/2	0.85	0.77	0.13	0.37	0.40	0.52	0.66
2	J01AN1014A	1/0	1/4	0.85	0.77	0.13	0.37	0.40	0.52	0.66
3	J01AN1038A	1/0	3/8	0.94	0.77	0.13	0.37	0.40	0.52	0.66
4	J01AN1056A	1/0	5/16	0.94	0.77	0.13	0.37	0.40	0.52	0.66
5	J01AN1076A	1/0	7/16	0.85	0.77	0.13	0.37	0.40	0.52	0.66
6	J02AN0110A	1AWG	#10	0.71	0.70	0.11	0.33	0.36	0.47	0.61
7	J02AN0112A	1AWG	1/2	0.85	0.77	0.11	0.37	0.36	0.47	0.61
8	J02AN0114A	1AWG	1/4	0.71	0.70	0.11	0.33	0.36	0.47	0.61
9	J02AN0138A	1AWG	3/8	0.85	0.70	0.11	0.33	0.36	0.47	0.61
10	J02AN0156A	1AWG	5/16	0.71	0.70	0.11	0.33	0.36	0.47	0.61
11	J02AN0176A	1AWG	7/16	0.89	0.77	0.11	0.37	0.36	0.47	0.61
12	J04AN0410A	4AWG	#10	0.57	0.55	0.08	0.27	0.27	0.37	0.55
13	J04AN0414A	4AWG	1/4	0.57	0.55	0.08	0.27	0.27	0.37	0.55
14	J04AN0438A	4AWG	3/8	0.65	0.62	0.08	0.31	0.27	0.37	0.55
15	J04AN0456A	4AWG	5/16	0.65	0.62	0.08	0.31	0.27	0.37	0.55
16	J06AN0610A	6AWG	#10	0.52	0.49	0.07	0.24	0.22	0.30	0.58
17	J06AN0614A	6AWG	1/4	0.52	0.49	0.07	0.24	0.22	0.30	0.58
18	J06AN0638A	6AWG	3/8	0.64	0.60	0.06	0.30	0.22	0.30	0.58
19	J06AN0656A	6AWG	5/16	0.64	0.60	0.06	0.30	0.22	0.30	0.58
20	J08AN0814A	8AWG	1/4	0.50	0.45	0.07	0.23	0.18	0.27	0.50
21	J08AN0838A	8AWG	3/8	0.62	0.56	0.06	0.28	0.18	0.27	0.50
22	J08AN0856A	8AWG	5/16	0.62	0.56	0.06	0.28	0.18	0.27	0.50
23	J10AN2012A	2/0	1/2	0.94	0.89	0.13	0.43	0.44	0.57	0.69
24	J10AN2014A	2/0	1/4	0.94	0.84	0.13	0.41	0.44	0.57	0.69
25	J10AN2038A	2/0	3/8	0.92	0.84	0.13	0.41	0.44	0.57	0.69
26	J10AN2056A	2/0	5/16	0.92	0.84	0.13	0.41	0.44	0.57	0.69
27	J10AN2058A	2/0	5/8	0.94	0.89	0.13	0.43	0.44	0.57	0.69
28	J10AN2076A	2/0	7/16	0.94	0.89	0.13	0.43	0.44	0.57	0.69
29	J20AN3012A	3/0	1/2	0.98	0.95	0.13	0.46	0.51	0.64	0.82
30	J20AN3014A	3/0	1/4	0.93	0.95	0.13	0.46	0.51	0.64	0.82



## Installation Information

	T&B	Panduit	Burndy
8AWG	TBM5 TBM8	CT-720 CT-920	Y1MR Y2MR
6AWG	TBM5 TBM8	CT-720 CT-1700	Y1MR MY29
4AWG	TBM5 TBM8	CT-720 CT-920	Y1MR Y2MR
1AWG	TBM5 TBM8	CT-720 CT-1700	MY29 Y644M
Others	TBM5 TBM8	CT-720 CT-920	MY29 Y644M

#	Cat.No	WIRE SIZE	BOLT SIZE	Dimension (in)						
				B	C	D	F	ID	OD	R
31	J20AN3038A	3/0	3/8	0.98	0.95	0.13	0.46	0.51	0.64	0.82
32	J20AN3056A	3/0	5/16	0.93	0.95	0.13	0.46	0.51	0.64	0.82
33	J20AN3076A	3/0	7/16	0.98	0.95	0.13	0.46	0.51	0.64	0.82
34	J30AN4012A	4/0	1/2	1.03	1.04	0.14	0.50	0.56	0.70	0.82
35	J30AN4038A	4/0	3/8	1.03	1.04	0.14	0.50	0.56	0.70	0.82
36	J30AN4056A	4/0	5/16	1.02	1.04	0.14	0.50	0.56	0.70	0.82
37	J30AN4076A	4/0	7/16	1.03	1.04	0.14	0.50	0.56	0.70	0.82
38	J40AN2512A	250 MCM	1/2	1.24	1.14	0.14	0.56	0.63	0.77	0.96
39	J40AN2514A	250 MCM	1/4	1.13	1.14	0.14	0.56	0.63	0.77	0.96
40	J40AN2538A	250 MCM	3/8	1.13	1.14	0.14	0.56	0.63	0.77	0.96
41	J40AN2556A	250 MCM	5/16	1.13	1.14	0.14	0.56	0.63	0.77	0.96
42	J40AN2576A	250 MCM	7/16	1.24	1.14	0.14	0.56	0.63	0.77	0.96