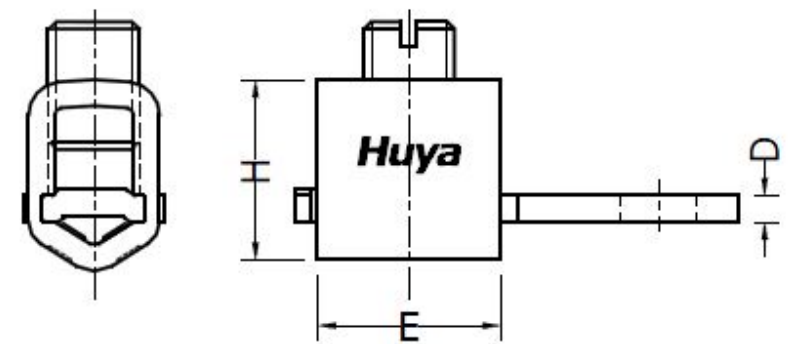
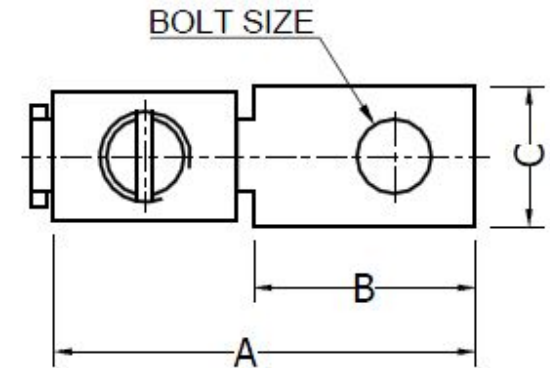


THE INFORMATION ON THIS DRAWING IS THE PROPERTY OF CELESTRA CORPORATION, IS DISCLOSED IN CONFIDENCE AND IS NOT TO BE REPRODUCED, USED OR DISCLOSED EXCEPT FOR THE PURPOSE FOR WHICH FURNISHED.

| CELESTRA CAT.NO | APP CABLE WIRE RANGE | BOLT SIZE | HEX KEY | A     | B     | C     | D      | E     | H     |
|-----------------|----------------------|-----------|---------|-------|-------|-------|--------|-------|-------|
| CM0112A         | #12-#1               | 1/4       | SLOT    | ±0.04 | ±0.02 | ±0.02 | ±0.015 | ±0.02 | ±0.02 |
|                 |                      |           |         | 1.50  | 0.81  | 0.50  | 0.08   | 0.50  | 0.65  |

**NOTES:**

1. ALL DIMENSIONS ARE IN INCHES UNLESS OTHERWISE SPECIFIED.
2. LUG MATERIAL: HIGH CONDUCTIVITY WROUGHT COPPER.
3. SCREW MATERIAL: STEEL.  
FINISH: ZINC PLATED.
4. ALL MATERIALS ARE COMPLIED WITH THE RESTRICTION OF HAZARDOUS SUBSTANCES (RoHS) DIRECTIVE (2002/95/EC).
5. CONNECTOR IS FOR COPPER CONDUCTORS.



**Huya** | CELESTRA CORPORATION  
 76, ZHONGSI HUANCUN ROAD, ZHONGCUN TOWN,  
 PANYU DIST, GUANGZHOU, 511495 CHINA  
[www.celestra.cn](http://www.celestra.cn)

**COPPER MECHANICAL LUGS**  
**#12-#1**

| REV | DATE      | DWN       | CHK       | DESCRIPTION                         | ECN |
|-----|-----------|-----------|-----------|-------------------------------------|-----|
| 00  | 25-May-26 | Hedy Xiao | Sinia Qiu | Celestra Standards Spec. Initialed. | N/A |

|          |           |          |                |       |      |                        |
|----------|-----------|----------|----------------|-------|------|------------------------|
| MATERIAL | SEE NOTES | PRT. NO. | CM0112A        | SCALE | NTS  | THIRD ANGLE PROJECTION |
| FINISH   | SEE NOTES | DWG. NO. | 186-0113040012 | UNIT  | INCH |                        |