

THE INFORMATION ON THIS DRAWING IS THE PROPERTY OF CELESTRA CORPORATION, IS DISCLOSED IN CONFIDENCE AND IS NOT TO BE REPRODUCED, USED OR DISCLOSED EXCEPT FOR THE PURPOSE FOR WHICH FURNISHED.

CELESTRA CAT.NO	Wire Range		Dimension (in.)			Color
	Run	Tap	A	B	C	color
TC1416	14	16-14	0.34	0.31	0.10	Red

- NOTES:
1. ALL DIMENSIONS ARE IN INCHES UNLESS OTHERWISE SPECIFIED.
 2. ALL DA, DB, LA, LB, WP, AL, AS AND J SERIES OF CAT.NO.S ARE LISTED BY "UNDERWRITERS INC." AND "CSA" FOR USE ON CODE WIRES AND FLEX/24 STRANDED CABLES. PRE-FIX CAT.NO.WITH "L" HAS NOT PEEP HOLE UNLESS OTHERWISE SPECIFIED IN THE SUFFIX OF THE CAT.NO. WITH "P".

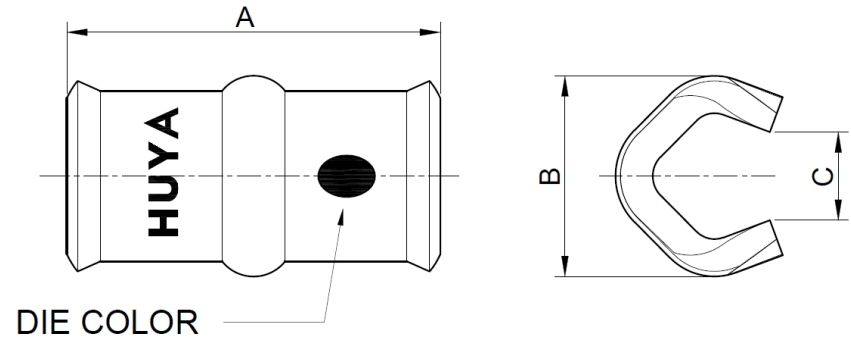
MATERIAL: HIGH-CONDUCTIVITY WROUGHT COPPER

FINISH:

INSTALLATION GUIDE

DIE CODE = _

DIE COLOR = Red



Huya

CELESTRA CORPORATION

76, ZHONGSI HUANCUN ROAD, ZHONGCUN TOWN,
PANYU DIST, GUANGZHOU, 511495 CHINA

www.celestra.cn

TITLE

Thin Wall C-Tap for 600V Applications

REV	DATE	DWN	CHK	DESCRIPTION	ECN
00	03-Jun-26	Hedy Xiao	Sinia Qiu	Celestra Standards Spec. Initialed.	N/A

MATERIAL	SEE NOTES	PRT. NO.	TC1416	SCALE	NTS	THIRD ANGLE PROJECTION
FINISH	SEE NOTES	DWG. NO.	186-0113042080	UNIT	INCH	