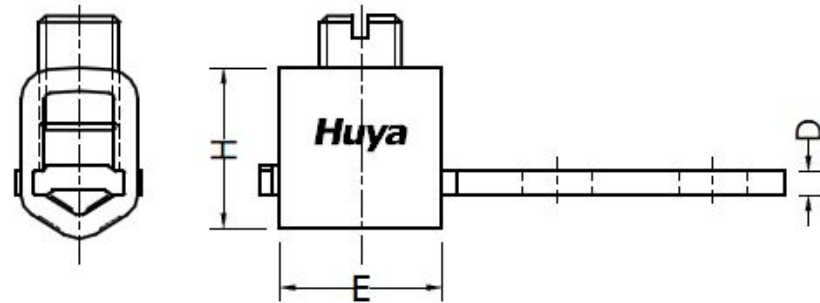
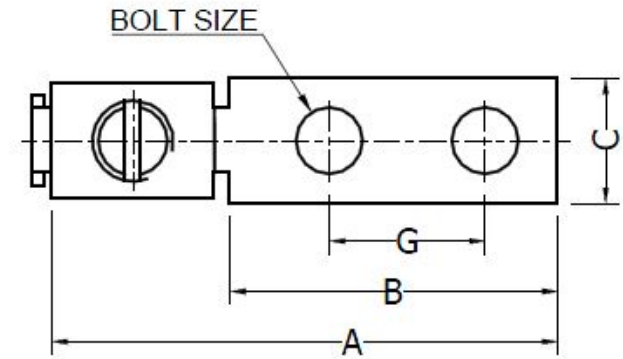


THE INFORMATION ON THIS DRAWING IS THE PROPERTY OF CELESTRA CORPORATION, IS DISCLOSED IN CONFIDENCE, AND IS NOT TO BE REPRODUCED, USED OR DISCLOSED EXCEPT FOR THE PURPOSE FOR WHICH FURNISHED.

CELESTRA CAT.NO	APP CABLE WIRE RANGE	BOLT SIZE	HEX KEY	A	B	C	D	E	G	H
CM021201	12-2	1/4	SLOT	±0.04	±0.02	±0.02	±0.015	±0.02	±0.01	±0.02

**NOTES:**

1. ALL DIMENSIONS ARE IN INCHES UNLESS OTHERWISE SPECIFIED.
2. LUG MATERIAL: HIGH CONDUCTIVITY WROUGHT COPPER.
3. SCREW MATERIAL: STEEL.  
FINISH: ZINC PLATED.
4. ALL MATERIALS ARE COMPLIED WITH THE RESTRICTION OF HAZARDOUS SUBSTANCES(RoHS) DIRECTIVE(2002/95/EC).
5. CONNECTOR IS FOR COPPER CONDUCTORS.



**Huya**

**CELESTRA CORPORATION**

76, ZHONGSI HUANCUN ROAD, ZHONGCUN TOWN,  
PANYU DIST, GUANGZHOU, 511495 CHINA

www.celestra.cn

**COPPER MECHANICAL LUGS  
12-2**

REV	DATE	DWN	CHK	DESCRIPTION	ECN
00	02-Jun-26	Hedy Xiao	Sinia Qiu	Celestra Standards Spec. Initialed.	N/A

MATERIAL		PRT. NO.	SCALE	THIRD ANGLE PROJECTION
SEE NOTES	CM021201	NTS		
FINISH	186-0113042086	INCH		