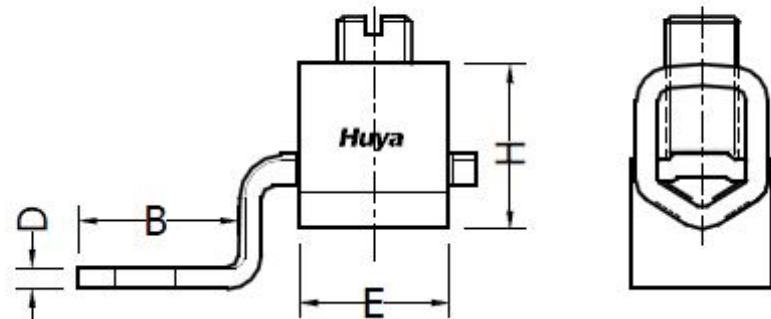
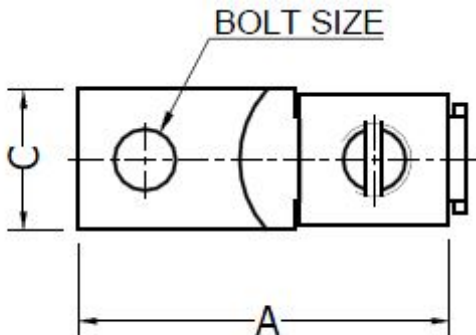


CELESTRA CAT.NO	APP CABLE WIRE RANGE	BOLT SIZE	HEX KEY	A	B	C	D	E	H
CM3501B	#1-#350	3/8	3/4	±0.04	±0.02	±0.02	±0.015	±0.02	±0.02

THE INFORMATION ON THIS DRAWING IS THE PROPERTY OF CELESTRA CORPORATION, IS DISCLOSED IN CONFIDENCE AND IS NOT TO BE REPRODUCED, USED OR DISCLOSED EXCEPT FOR THE PURPOSE FOR WHICH FURNISHED.

**NOTES:**

1. ALL DIMENSIONS ARE IN INCHES UNLESS OTHERWISE SPECIFIED.
2. LUG MATERIAL: HIGH CONDUCTIVITY WROUGHT COPPER.
3. SCREW MATERIAL: STEEL.  
FINISH: ZINC PLATED.
4. ALL MATERIALS ARE COMPLIED WITH THE RESTRICTION OF HAZARDOUS SUBSTANCES (RoHS) DIRECTIVE (2002/95/EC).
5. CONNECTOR IS FOR COPPER CONDUCTORS.



REV	DATE	DWN	CHK	DESCRIPTION	ECN
00	02-Jun-26	Hedy Xiao	Sinia Qiu	Celestra Standards Spec. Initialed.	N/A

<b>Huya</b>		<b>CELESTRA CORPORATION</b> 76, ZHONGSI HUANCUN ROAD, ZHONGCUN TOWN, PANYU DIST, GUANGZHOU, 511495 CHINA <a href="http://www.celestra.cn">www.celestra.cn</a>		
TITLE <b>COPPER MECHANICAL LUGS</b> <b>#1-#350</b>				
MATERIAL	SEE NOTES	PRT. NO.	CM3501B	SCALE NTS
FINISH	SEE NOTES	DWG. NO.	186-0113042119	UNIT INCH
				THIRD ANGLE PROJECTION

4 | 3 | 2 | 1