

THE INFORMATION ON THIS DRAWING IS THE PROPERTY OF CELESTRA, IS DISCLOSED IN CONFIDENCE AND NOT TO BE REPRODUCED, USED OR DISCLOSED EXCEPT FOR WHICH FURNISHED.

| CELESTRA CAT.NO | Wire Range | STUD SIZE | A | B | C | D | H |
|--------------------|------------|-----------|-------|--------|--------|--------------|--------|
| | AWG | | MAX | ±0.003 | ±0.008 | ±0.002 | ±0.010 |
| TR0861 | 6 | 11/16 | 1.929 | 0.756 | 1.181 | 0.059 (1.50) | 0.228 |

- NOTE:
1. ALL DIMENSIONS ARE IN INCHES UNLESS OTHERWISE SPECIFIED.
 2. ALL DA,DB,LA,LB,WP,AL,AS AND J SERIES OF CAT.NO.S ARE LISTED BY "UNDERWRITERS INC." AND "CSA" FOR USE ON CODE WIRES AND FLEX/24 STRANDED CABLES.

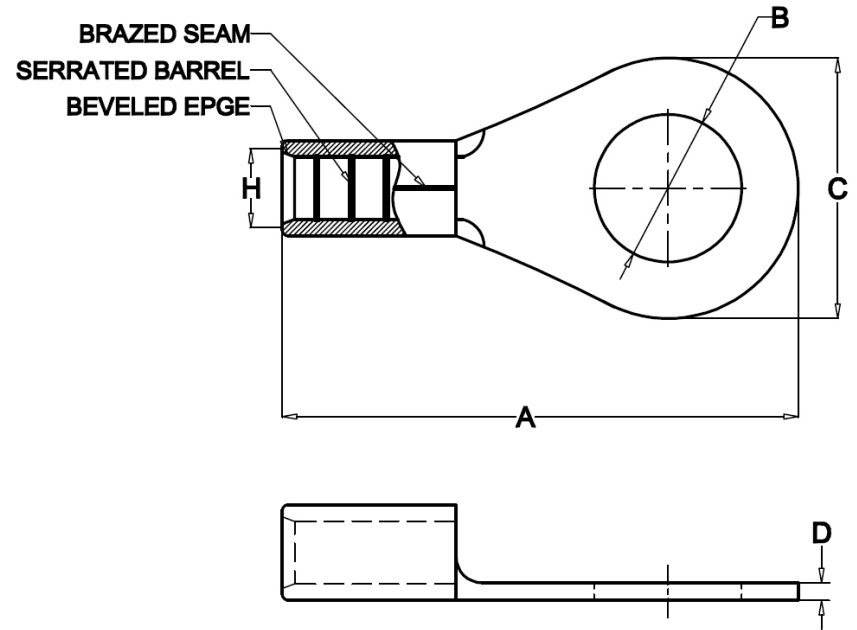
PRE-FIX CAT.NO.WITH "L" HAS NOT PEEP HOLE UNLESS OTHERWISE SPECIFIED IN THE SUFFIX OF THE CAT.NO. WITH "P".

MATERIAL: HIGH CONDUCTIVITY WROUGHT COPPER

FINISH: ELECTOR-TIN PLATE UNLESS OTHERWISE SPECIFIED PER MIL - T - 16366.
SUFFIX CAT.NO.WITH "SP" FOR SILVER.

INSTALLATION GUIDE

DIE CODE = __
DIE COLOR = __



HUYA[®]
www.huyaco.com

CELESTRA CORPORATION
76. Huancun Rd. Zhongcun Town.
Panyu Dist. Guangzhou 511495.

TITLE WIRE CONNECTORS AND SOLDERING LUGS FOR CODE AND FLEX CABLE

| 00 | 30-Apr-26 | Ruby Feng | Sinia Qiu | Celestra Standards Spec. Initialed. | |
|-----|-----------|-----------|-----------|-------------------------------------|-----|
| REV | DATE | DWN | CHK | DESCRIPTION | ECN |

| | | | | | | |
|----------|----------------------------------|----------|------------|-------|------|------------------------|
| MATERIAL | HIGH-CONDUCTIVITY WROUGHT COPPER | PRT. NO. | TR0861 | SCALE | NTS | THIRD ANGLE PROJECTION |
| FINISH | ELECTRO TIN PLATE | DWG. NO. | 186-cp2200 | UNIT | INCH | |

