

4

3

2

1

THE INFORMATION ON THIS DRAWING IS THE PROPERTY OF CELESTRA, IS DISCLOSED IN CONFIDENCE AND NOT TO BE REPRODUCED, USED OR DISCLOSED EXCEPT FOR WHICH FURNISHED.

CELESTRA CAT.NO	WIRE SIZE		BOLT SIZE	B MIN	C ±0.04	D ±0.015	G ±0.02	H ±0.01
	CODE	FLEX						
LB081058AP-260	#8 AWG	#8 Weld 37/24 = 14.9 kcmil	#10	1.15	0.41	0.08	0.62	0.23

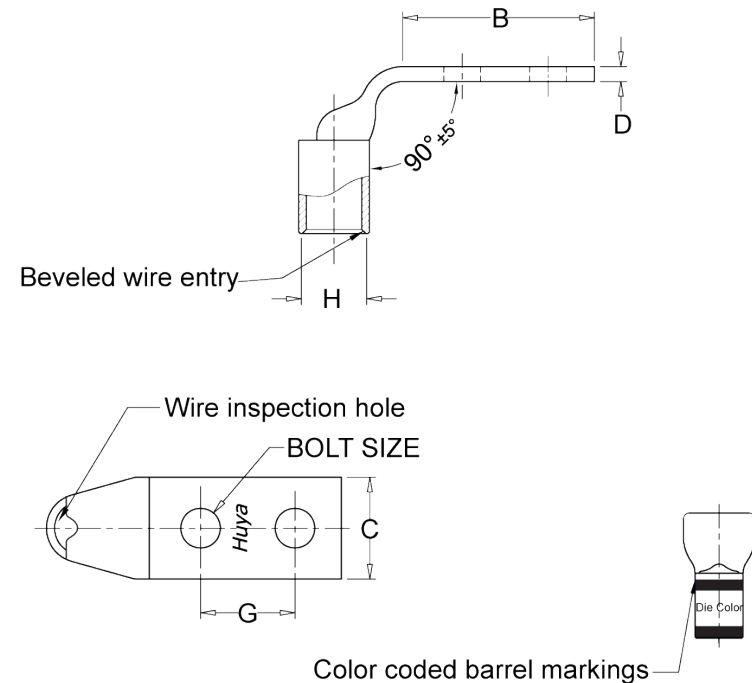
- NOTE:
1. ALL DIMENSIONS ARE IN INCHES UNLESS OTHERWISE SPECIFIED.
  2. ALL DA,DB,LA,LB,WP,AL,AS AND J SERIES OF CAT.NO.S ARE LISTED BY "UNDERWRITERS INC." AND "CSA" FOR USE ON CODE WIRES AND FLEX/24 STRANDED CABLES.

PRE-FIX CAT.NO.WITH "L" HAS NOT PEEP HOLE UNLESS OTHERWISE SPECIFIED IN THE SUFFIX OF THE CAT.NO. WITH "P".

MATERIAL: HIGH CONDUCTIVITY WROUGHT COPPER

FINISH: ELECTOR-TIN PLATE UNLESS OTHERWISE SPECIFIED PER MIL - T - 16366.  
SUFFIX CAT.NO.WITH "SP" FOR SILVER.

INSTALLATION GUIDE  
DIE CODE = 21  
DIE COLOR = Red



A

A

**HUYA**<sup>®</sup>  
www.huyaco.com

**CELESTRA CORPORATION**  
76. Huancun Rd. Zhongcun Town.  
Panyu Dist. Guangzhou 511495.

TITLE WIRE CONNECTORS AND SOLDERING  
LUGS FOR CODE AND FLEX CABLE

00	20-May-26	Ruby Feng	Sinia Qiu	Celestra Standards Spec. Initialed.	
----	-----------	-----------	-----------	-------------------------------------	--

MATERIAL	HIGH-CONDUCTIVITY WROUGHT COPPER	PRT. NO.	LB081058AP-260	SCALE	NTS	THIRD ANGLE PROJECTION
----------	-------------------------------------	----------	----------------	-------	-----	------------------------

REV	DATE	DWN	CHK	DESCRIPTION	ECN
-----	------	-----	-----	-------------	-----

FINISH	ELECTRO TIN PLATE	DWG. NO.	186-cp4248	UNIT	INCH
--------	-------------------	----------	------------	------	------



4

3

2

1