

THE INFORMATION ON THIS DRAWING IS THE PROPERTY OF CELESTRA, IS DISCLOSED IN CONFIDENCE AND NOT TO BE REPRODUCED, USED OR DISCLOSED EXCEPT FOR WHICH FURNISHED.

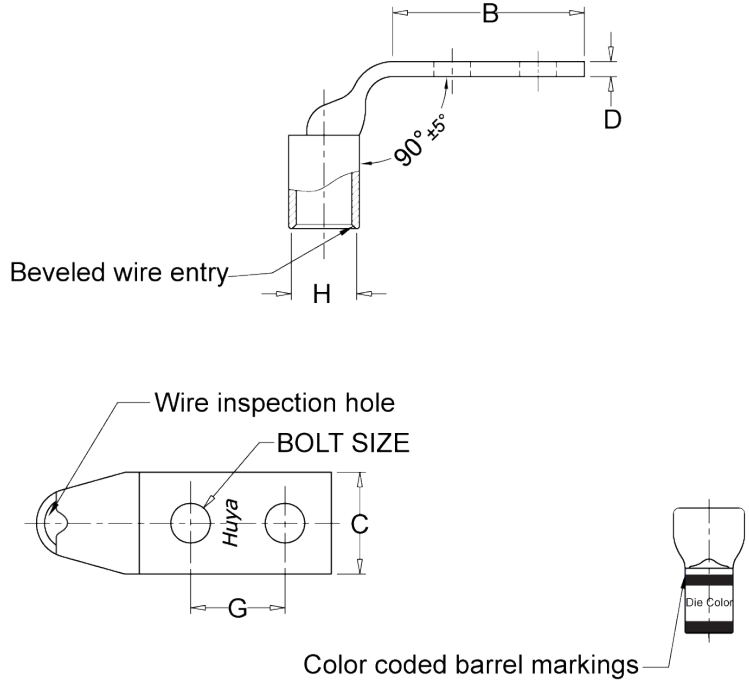
CELESTRA CAT.NO	WIRE SIZE		BOLT SIZE	B MIN	C ±0.04	D ±0.015	G ±0.02	H ±0.01
	CODE	FLEX						
DB061434A-250	#6 AWG	#6 Weld 61/24 = 24.6 kcmil	1/4	1.37	0.48	0.08	0.75	0.27

- NOTE:
1. ALL DIMENSIONS ARE IN INCHES UNLESS OTHERWISE SPECIFIED.
 2. ALL DA,DB,LA,LB,WP,AL,AS AND J SERIES OF CAT.NO.S ARE LISTED BY "UNDERWRITERS INC." AND "CSA" FOR USE ON CODE WIRES AND FLEX/24 STRANDED CABLES.

PRE-FIX CAT.NO.WITH "L" HAS NOT PEEP HOLE UNLESS OTHERWISE SPECIFIED IN THE SUFFIX OF THE CAT.NO. WITH "P".

MATERIAL: HIGH CONDUCTIVITY WROUGHT COPPER
 FINISH: ELECTOR-TIN PLATE UNLESS OTHERWISE SPECIFIED PER MIL - T - 16366.
 SUFFIX CAT.NO.WITH "SP" FOR SILVER.

INSTALLATION GUIDE
 DIE CODE = 24
 DIE COLOR = Blue



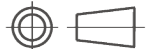
HUYA®
 www.huyaco.com

CELESTRA CORPORATION
 76. Huancun Rd. Zhongcun Town.
 Panyu Dist. Guangzhou 511495.

TITLE **WIRE CONNECTORS AND SOLDERING LUGS FOR CODE AND FLEX CABLE**

REV	DATE	DWN	CHK	DESCRIPTION	ECN
00	03-Apr-26	Ruby Feng	Sinia Qiu	Celestra Standards Spec. Initialed.	

MATERIAL	HIGH-CONDUCTIVITY WROUGHT COPPER	PRT. NO.	DB061434A-250	SCALE	NTS	THIRD ANGLE PROJECTION
FINISH	ELECTRO TIN PLATE	DWG. NO.	186-cp4274	UNIT	INCH	



4

3

2

1