

THE INFORMATION ON THIS DRAWING IS THE PROPERTY OF CELESTRA, IS DISCLOSED IN CONFIDENCE AND NOT TO BE REPRODUCED, USED OR DISCLOSED EXCEPT FOR WHICH FURNISHED.

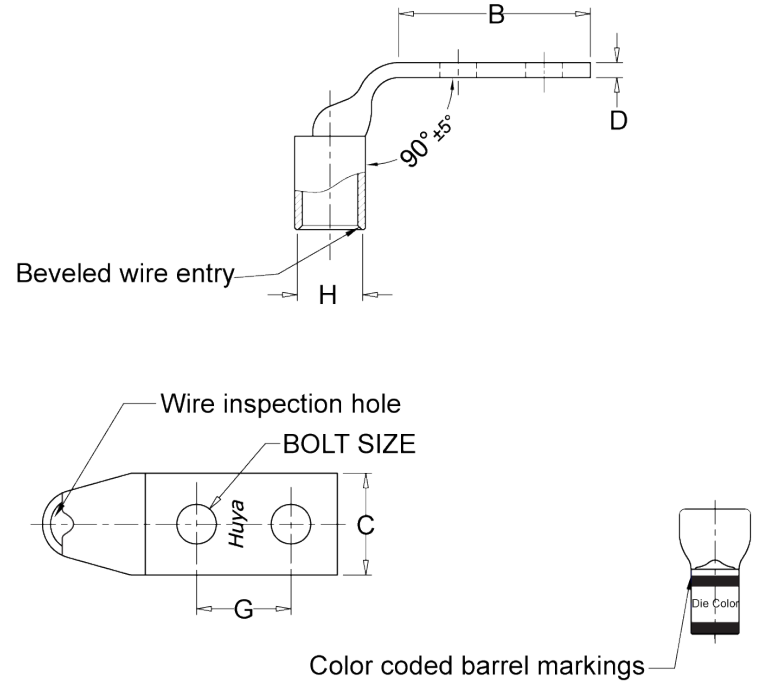
CELESTRA CAT.NO	WIRE SIZE		BOLT SIZE	B MIN	C ±0.04	D ±0.015	G ±0.02	H ±0.01
	CODE	FLEX						
LB011458A-260	#1 AWG	75 Navy #2 Weld 150/24 = 60.5 kcmil 175/24 = 70.6 kcmil 133/.0223	1/4	1.26	0.68	0.10	0.62	0.41

- NOTE:
1. ALL DIMENSIONS ARE IN INCHES UNLESS OTHERWISE SPECIFIED.
 2. ALL DA,DB,LA,LB,WP,AL,AS AND J SERIES OF CAT.NO.S ARE LISTED BY "UNDERWRITERS INC." AND "CSA" FOR USE ON CODE WIRES AND FLEX/24 STRANDED CABLES.

PRE-FIX CAT.NO.WITH "L" HAS NOT PEEP HOLE UNLESS OTHERWISE SPECIFIED IN THE SUFFIX OF THE CAT.NO. WITH "P".

MATERIAL: HIGH CONDUCTIVITY WROUGHT COPPER
 FINISH: ELECTOR-TIN PLATE UNLESS OTHERWISE SPECIFIED PER MIL - T - 16366.
 SUFFIX CAT.NO.WITH "SP" FOR SILVER.

INSTALLATION GUIDE
 DIE CODE = 37
 DIE COLOR = Green



REV	DATE	DWN	CHK	DESCRIPTION	ECN
00	03-Apr-26	Ruby Feng	Sinia Qiu	Celestra Standards Spec. Initialed.	

HUYA [®] www.huyaco.com		CELESTRA CORPORATION 76. Huancun Rd. Zhongcun Town. Panyu Dist. Guangzhou 511495.	
TITLE WIRE CONNECTORS AND SOLDERING LUGS FOR CODE AND FLEX CABLE			
MATERIAL HIGH-CONDUCTIVITY WROUGHT COPPER	PRT. NO. LB011458A-260	SCALE NTS	THIRD ANGLE PROJECTION
FINISH ELECTRO TIN PLATE	DWG. NO. 186-cp4534	UNIT INCH	