

4

3

2

1

THE INFORMATION ON THIS DRAWING IS THE PROPERTY OF CELESTRA, IS DISCLOSED IN CONFIDENCE AND NOT TO BE REPRODUCED, USED OR DISCLOSED EXCEPT FOR WHICH FURNISHED.

CELESTRA CAT.NO	WIRE SIZE	BOLT SIZE	A ±0.06	B MIN	C ±0.04	D ±0.015	F ±0.01	ID ±0.01	H ±0.04
	Code								
AL5158-62	500 kcmil	5/8	5.18	1.91	1.80	0.48	0.88	0.84	2.34

## NOTE:

1. ALL DIMENSIONS ARE IN INCHES UNLESS OTHERWISE SPECIFIED.
2. ALL DA,DB,LA,LB,WP,AL,AS AND J SERIES OF CAT.NO.S ARE LISTED BY "UNDERWRITERS INC." AND "CSA" FOR USE ON CODE WIRES AND FLEX/24 STRANDED CABLES.

PRE-FIX CAT.NO.WITH "L" HAS NOT PEEP HOLE UNLESS OTHERWISE SPECIFIED IN THE SUFFIX OF THE CAT.NO. WITH "P".

## MATERIAL:

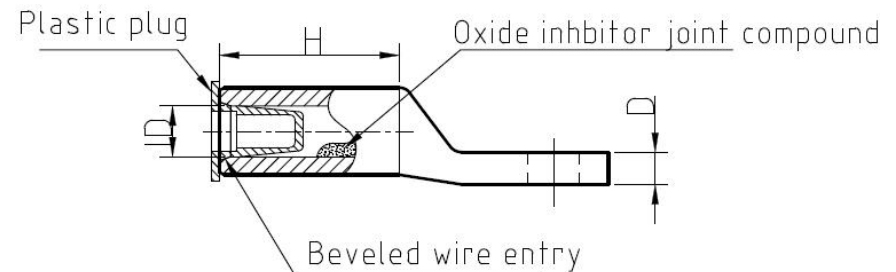
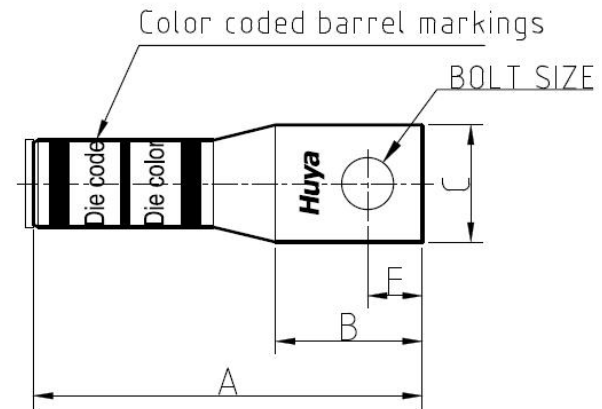
ALUMINIUM ALLOY

## FINISH:

ELECTOR-TIN PLATE UNLESS OTHERWISE SPECIFIED PER MIL - T - 16366.  
SUFFIX CAT.NO.WITH "SP" FOR SILVER.

## INSTALLATION GUIDE

DIE CODE = 99  
DIE COLOR = Pink



**HUYA**<sup>®</sup>  
www.huyaco.com

**CELESTRA CORPORATION**

76. Huancun Rd. Zhongcun Town.  
Panyu Dist. Guangzhou 511495.

TITLE WIRE CONNECTORS AND SOLDERING  
LUGS FOR CODE AND FLEX CABLE

MATERIAL ALUMINIUM ALLOY

PRT. NO. AL5158-62

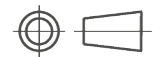
SCALE NTS

THIRD ANGLE PROJECTION

FINISH ELECTRO TIN PLATE

DWG. NO. 186-cp5130

UNIT INCH



00	31-May-26	Ruby Feng	Sinia Qiu	Celestra Standards Spec. Initialed.	
REV	DATE	DWN	CHK	DESCRIPTION	ECN

4

3

2

1