

4

3

2

1

THE INFORMATION ON THIS DRAWING IS THE PROPERTY OF CELESTRA, IS DISCLOSED IN CONFIDENCE AND NOT TO BE REPRODUCED, USED OR DISCLOSED EXCEPT FOR WHICH FURNISHED.

CELESTRA CAT.NO	Wire Size (mm <sup>2</sup> )	Bolt Size	Dimension (mm)						
			A	B	C	D	F	H	ID
KC9512	95.00	M12	57.00	26.00	25.00	4.00	12.00	22.00	13.40

D

NOTE:

ALL DIMENSIONS ARE IN MILLIMETER UNLESS OTHERWISE SPECIFIED.

MATERIAL: HIGH CONDUCTIVITY WROUGHT COPPER

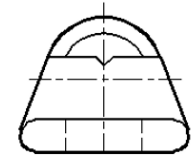
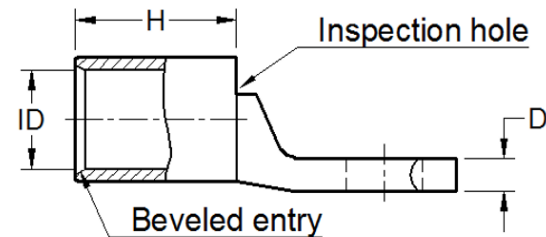
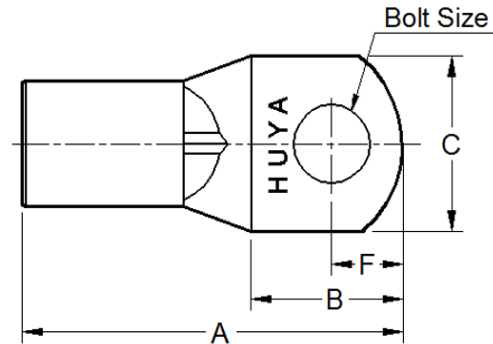
FINISH: ELECTRO-TIN PLATE

INSTALLATION GUIDE

DIE CODE = \_\_

DIE COLOR = \_\_

C



D

C

B

A



A

**HUYA**<sup>®</sup>  
www.huyaco.com

**CELESTRA CORPORATION**

76. Huancun Rd. Zhongcun Town.  
Panyu Dist. Guangzhou 511495.

TITLE WIRE CONNECTORS AND SOLDERING  
LUGS FOR CODE AND FLEX CABLE

MATERIAL HIGH CONDUCTIVITY  
WROUGHT COPPER.

PRT. NO.

KC9512

SCALE

NTS

THIRD ANGLE PROJECTION

FINISH

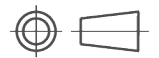
ELECTRO-TIN PLATE.

DWG. NO.

186-cp5289

UNIT

INCH



00	20-Apr-26	Ruby Feng	Sinia Qiu	Celestra Standards Spec. Initialed.	
----	-----------	-----------	-----------	-------------------------------------	--

REV	DATE	DWN	CHK	DESCRIPTION	ECN
-----	------	-----	-----	-------------	-----

4

3

2

1