

4

3

2

1

THE INFORMATION ON THIS DRAWING IS THE PROPERTY OF CELESTRA, IS DISCLOSED IN CONFIDENCE AND NOT TO BE REPRODUCED, USED OR DISCLOSED EXCEPT FOR WHICH FURNISHED.

CELESTRA CAT.NO	Wire Size (mm ²)	Bolt Size	Dimension (mm)						
			A	B	C	D	F	H	ID
KC6316	630.00	M16	118.00	41.00	61.00	8.90	19.00	53.00	33.10

D

NOTE:

ALL DIMENSIONS ARE IN MILLIMETER UNLESS OTHERWISE SPECIFIED.

MATERIAL: HIGH CONDUCTIVITY WROUGHT COPPER

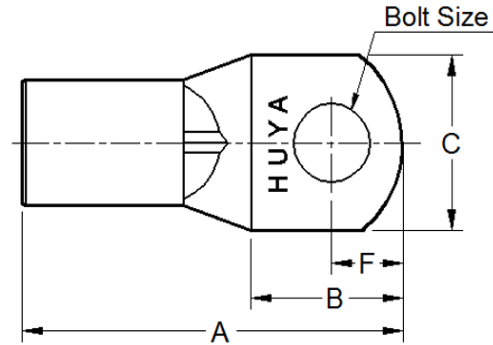
FINISH: ELECTRO-TIN PLATE

INSTALLATION GUIDE

DIE CODE = __

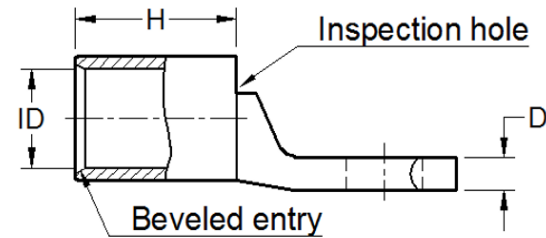
DIE COLOR = __

C



D

C



C

B

B



A

A

HUYA[®]
www.huyaco.com

CELESTRA CORPORATION

76. Huancun Rd. Zhongcun Town.
Panyu Dist. Guangzhou 511495.

TITLE WIRE CONNECTORS AND SOLDERING
LUGS FOR CODE AND FLEX CABLE

REV	DATE	DWN	CHK	DESCRIPTION	ECN
00	03-Jun-26	Ruby Feng	Sinia Qiu	Celestra Standards Spec. Initialed.	

MATERIAL HIGH CONDUCTIVITY
WROUGHT COPPER.

PRT. NO.
KC6316

SCALE
NTS

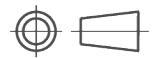
THIRD ANGLE PROJECTION

REV	DATE	DWN	CHK	DESCRIPTION	ECN
00	03-Jun-26	Ruby Feng	Sinia Qiu	Celestra Standards Spec. Initialed.	

FINISH
ELECTRO-TIN PLATE.

DWG. NO.
186-cp5332

UNIT
INCH



4

3

2

1