

4

3

2

1

THE INFORMATION ON THIS DRAWING IS THE PROPERTY OF CELESTRA, IS DISCLOSED IN CONFIDENCE AND NOT TO BE REPRODUCED, USED OR DISCLOSED EXCEPT FOR WHICH FURNISHED.

CELESTRA CAT.NO	WIRE SIZE	BOLT SIZE	Dimension (in)							
			A	B	C	D	F	ID	OD	H
J30AN4056	4/0	5/16	2.16	1.02	1.04	0.14	0.50	0.56	0.70	0.82

- NOTE:
1. ALL DIMENSIONS ARE IN INCHES UNLESS OTHERWISE SPECIFIED.
  2. ALL DA,DB,LA,LB,WP,AL,AS AND J SERIES OF CAT.NO.S ARE LISTED BY "UNDERWRITERS INC." AND "CSA" FOR USE ON CODE WIRES AND FLEX/24 STRANDED CABLES.

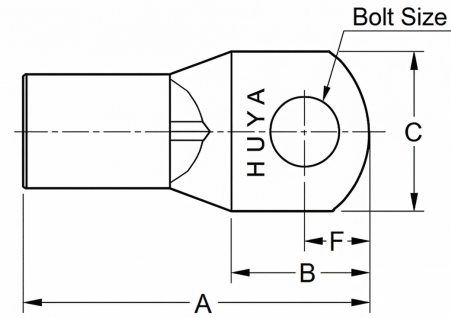
PRE-FIX CAT.NO.WITH "L" HAS NOT PEEP HOLE UNLESS OTHERWISE SPECIFIED IN THE SUFFIX OF THE CAT.NO. WITH "P".

MATERIAL: HIGH CONDUCTIVITY WROUGHT COPPER

FINISH: ELECTOR-TIN PLATE UNLESS OTHERWISE SPECIFIED PER MIL - T -16366.  
SUFFIX CAT.NO.WITH "SP" FOR SILVER.

INSTALLATION GUIDE

DIE CODE = \_\_  
DIE COLOR = \_\_



NEBS<sup>3</sup>



CE

**HUYA**<sup>®</sup>  
www.huyaco.com

**CELESTRA CORPORATION**

76. Huancun Rd. Zhongcun Town.  
Panyu Dist. Guangzhou 511495.

TITLE WIRE CONNECTORS AND SOLDERING  
LUGS FOR CODE AND FLEX CABLE

00	08-Apr-26	Ruby Feng	Sinia Qiu	Celestra Standards Spec. Initialed.		MATERIAL	PRT. NO. J30AN4056	SCALE NTS	THIRD ANGLE PROJECTION
REV	DATE	DWN	CHK	DESCRIPTION	ECN	FINISH	DWG. NO. 186-cp5369	UNIT INCH	

4

3

2

1