

THE INFORMATION ON THIS DRAWING IS THE PROPERTY OF CELESTRA, IS DISCLOSED IN CONFIDENCE AND NOT TO BE REPRODUCED, USED OR DISCLOSED EXCEPT FOR WHICH FURNISHED.

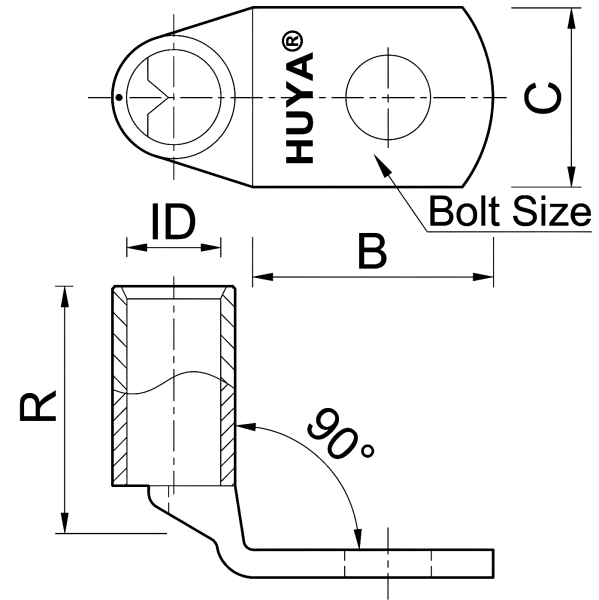
| CELESTRA CAT.NO | WIRE SIZE | BOLT SIZE | Dimension (in) | | | | | | |
|-----------------|-----------|-----------|----------------|------|------|------|------|------|------|
| | | | B | C | D | F | ID | OD | R |
| J10AN2038A | 2/0 | 3/8 | 0.92 | 0.84 | 0.13 | 0.41 | 0.44 | 0.57 | 0.69 |

- NOTE:
1. ALL DIMENSIONS ARE IN INCHES UNLESS OTHERWISE SPECIFIED.
 2. ALL DA,DB,LA,LB,WP,AL,AS AND J SERIES OF CAT.NO.S ARE LISTED BY "UNDERWRITERS INC." AND "CSA" FOR USE ON CODE WIRES AND FLEX/24 STRANDED CABLES.

PRE-FIX CAT.NO.WITH "L" HAS NOT PEEP HOLE UNLESS OTHERWISE SPECIFIED IN THE SUFFIX OF THE CAT.NO. WITH "P".

MATERIAL: HIGH CONDUCTIVITY WROUGHT COPPER
 FINISH: ELECTOR-TIN PLATE UNLESS OTHERWISE SPECIFIED PER MIL - T - 16366.
 SUFFIX CAT.NO.WITH "SP" FOR SILVER.

INSTALLATION GUIDE
 DIE CODE = __
 DIE COLOR = __



HUYA®
 www.huyaco.com

CELESTRA CORPORATION
 76. Huancun Rd. Zhongcun Town.
 Panyu Dist. Guangzhou 511495.

TITLE WIRE CONNECTORS AND SOLDERING LUGS FOR CODE AND FLEX CABLE

| REV | DATE | DWN | CHK | DESCRIPTION | ECN |
|-----|-----------|-----------|-----------|-------------------------------------|-----|
| 00 | 20-May-26 | Ruby Feng | Sinia Qiu | Celestra Standards Spec. Initialed. | |

| MATERIAL | PRT. NO. | SCALE | THIRD ANGLE PROJECTION |
|----------|------------|-------|------------------------|
| | J10AN2038A | NTS | |
| FINISH | DWG. NO. | UNIT | |
| | 186-cp5444 | INCH | |