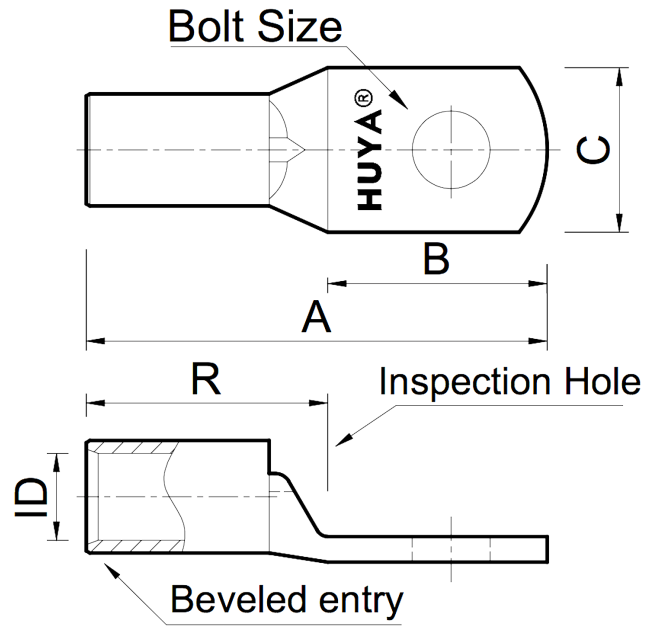


THE INFORMATION ON THIS DRAWING IS THE PROPERTY OF CELESTRA, IS DISCLOSED IN CONFIDENCE AND NOT TO BE REPRODUCED, USED OR DISCLOSED EXCEPT FOR WHICH FURNISHED.

CELESTRA CAT.NO	Wire Size (mm <sup>2</sup> )	Dimension (mm)					
		Bolt Size	A	B	C	R	ID
MC3508-252	35.00	M8	60.50	20.80	15.50	39.30	8.20

NOTE:  
 ALL DIMENSIONS ARE IN MILLIMETER UNLESS OTHERWISE SPECIFIED.  
 MATERIAL: HIGH CONDUCTIVITY WROUGHT COPPER  
 FINISH: ELECTRO-TIN PLATE

INSTALLATION GUIDE  
 DIE CODE = 7  
 DIE COLOR = --



00	20-Apr-26	Ruby Feng	Sinia Qiu	Celestra Standards Spec. Initialed.	
REV	DATE	DWN	CHK	DESCRIPTION	ECN

<b>HUYA®</b> www.huyaco.com		<b>CELESTRA CORPORATION</b> 76. Huancun Rd. Zhongcun Town. Panyu Dist. Guangzhou 511495.		
TITLE WIRE CONNECTORS AND SOLDERING LUGS FOR CODE AND FLEX CABLE				
MATERIAL HIGH-CONDUCTIVITY WROUGHT COPPER	PRT. NO. MC3508-252	SCALE NTS	THIRD ANGLE PROJECTION	
FINISH ELECTRO TIN PLATE	DWG. NO. 186-cp5603	UNIT INCH		

